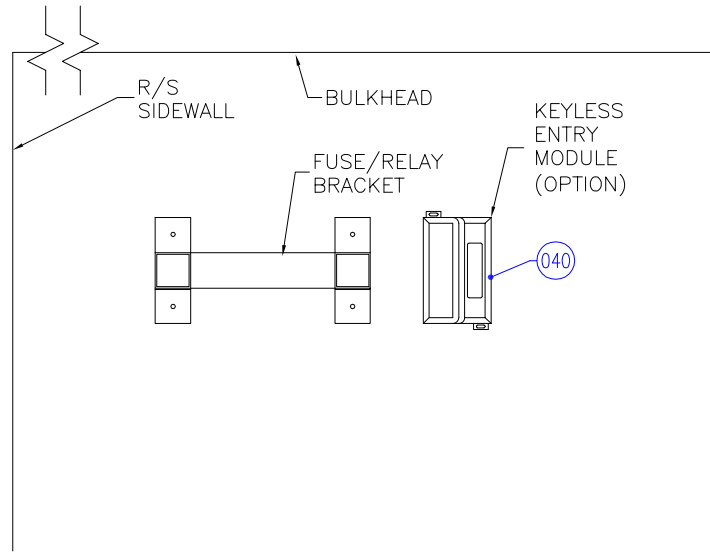
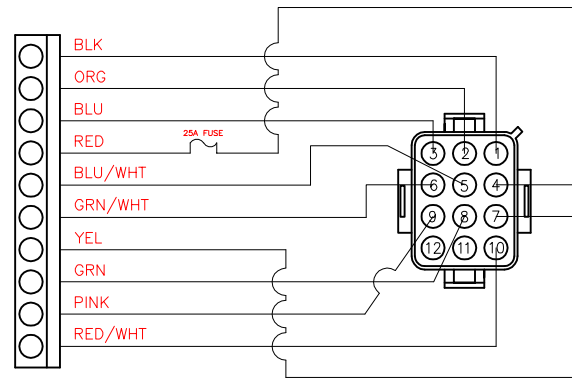


D.C. RELEASE	DESCRIPTION	DATE	BY	SCALE: 2" = 1'-0"	USED ON:	FLEETWOOD RECREATIONAL VEHICLE GROUP	PAGE NO. 703-46-40050
				DRAWN: R. Dario DATE: 02-24-03			SHEET 1 OF 1
				PROJECT: 11703800		TITLE: KEYLESS ENTRY INFO	
12-00		01/24/11		PLOT: 10/12/10 11:35:37 044smithm	AUX. INFO.		

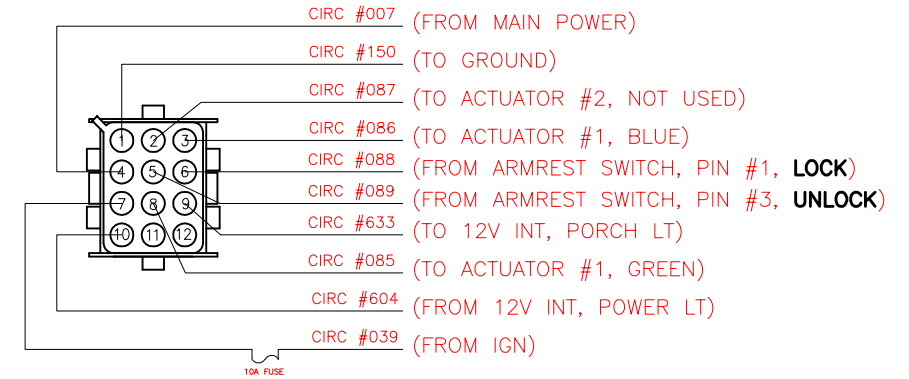


KEYLESS ENTRY
(OEM)



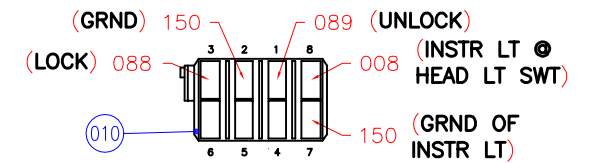
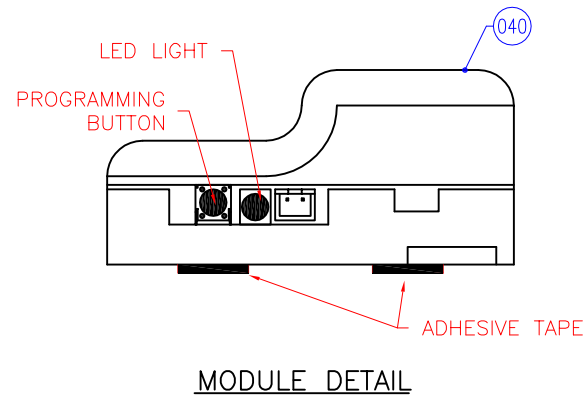
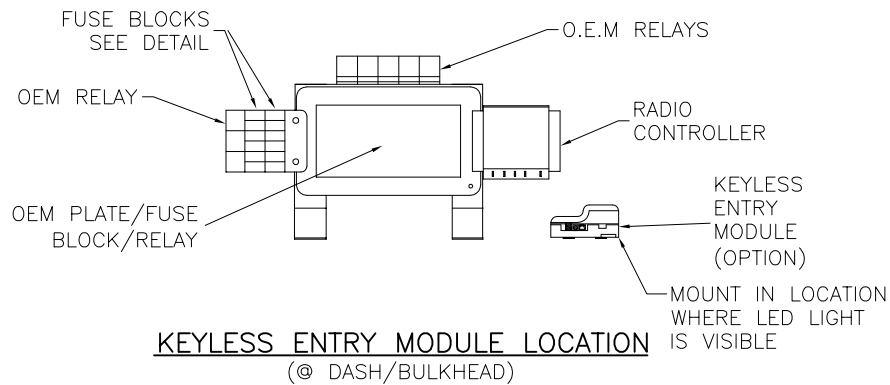
PLUG
AMP 1-480708-0
(F56-4022)

DASH HARNESS



CAP
AMP 1-480709-0
(F56-4020)

WIRING DETAIL
SCALE: 9" = 1'-0"



KEYLESS ENTRY SWITCH "CARLING"
(@ PASSENGER ARMREST)
CARLING/CONTURA CONNECTOR BASE
CONN: VCH (8 PIN)
TERM: PKRD 1201 5870 (16-14 GA)

BRANCH: 127 MOTOR HOME DIVISION

FLEETWOOD RV, INC
BILL OF MATERIAL REPORT

4/13/2016 3:10 PM
PAGE: 1 OF 1

BILL PAGE: 703-46-40050 KEYLESS ENTRY INFO

BILL PAGE: 703-46-40050

<u>BSEQ</u>	<u>ITEM NUMBER</u>	<u>DESCRIPTION</u>	<u>U/M</u>	<u>QTY</u>	<u>NOTES</u>	<u>FROM</u>	<u>THRU</u>
10	F22-7451	SWITCH- 12V KEYLESS ENTRY /CRL/ REV A	EA	1		12/10/2004	12/31/2099
40	F97-0202	CONTROL UNIT- KYLS ENT /MAGN RKE100	EA	1		12/10/2004	12/31/2099

*****END OF BILL*****